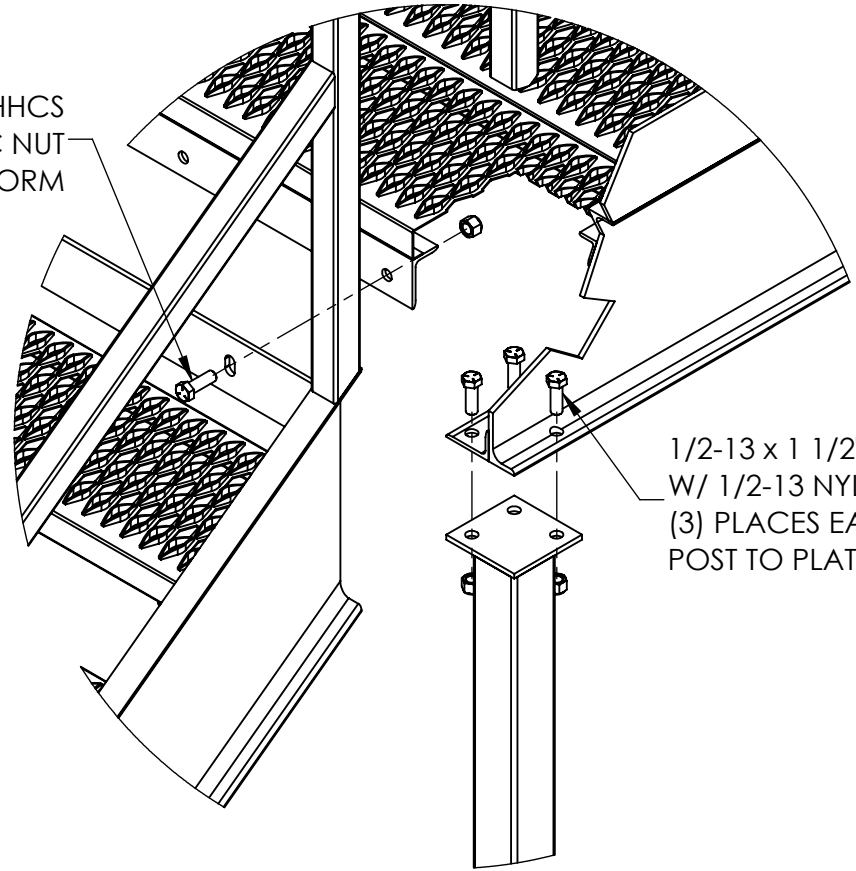


1/2-13 x 1 1/2" HHCS
W/ 1/2-13 NYLOC NUT
STAIR TO PLATFORM



1/2-13 x 1 1/2" HHCS
W/ 1/2-13 NYLOC NUT
(3) PLACES EACH
POST TO PLATFORM

Ø 9/16 ANCHOR HOLES
ANCHORS BY OTHERS

*OPEN SIDES OF PLATFORM AND STEPS ARE TO ABUT WALL OR OTHER FIXED OBJECT AS TO ELIMINATE FALL HAZARD

*INSTALLER TO ANCHOR PLATFORM AT TRANSITION TO EXISTING STRUCTURE

*INSTALLATION HARDWARE AND FLOOR ANCHORS NOT PROVIDED BY EGA PRODUCTS.

*ASSEMBLY HARDWARE TO ASSEMBLE EGA PROVIDED STAIR COMONENTS ARE INCLUDED

1. THIS DRAWING INCLUDES PROPRIETARY DATA THAT IS OWNED BY EGA PRODUCTS, INC. THIS DATA SHALL NOT BE DUPLICATED OR DISCLOSED IN WHOLE OR IN PART FOR ANY PURPOSE BEYOND EGA'S REPRESENTATIVES, DISTRIBUTORS OR CUSTOMERS FOR WHOM THIS DATA IS INTENDED.
2. THE FURNISHING OR POSSESSION OF THIS DRAWING OR ANY REPRODUCTIONS THEREOF DOES NOT CONVEY ANY MANUFACTURING RIGHTS.



EGA Products, Inc.

Material Handling Equipment

(262) 781-7899 · FAX (262) 781-3586
4275 N. 127th St. · BROOKFIELD, WI 53005
AND MOORESVILLE, NORTH CAROLINA

PROJECT:

STAIRWAY & PLATFORM ASSEMBLY INSTRUCTIONS

DISTRIBUTOR (END USER):

SCALE:

NTS

QUOTE NO.:

SHEET:

1 OF 1

JOB NO.:

STD

REV.:

0

DRAWN DATE:

2/22/18

DRAWN BY:

JWP

REV. DATE: